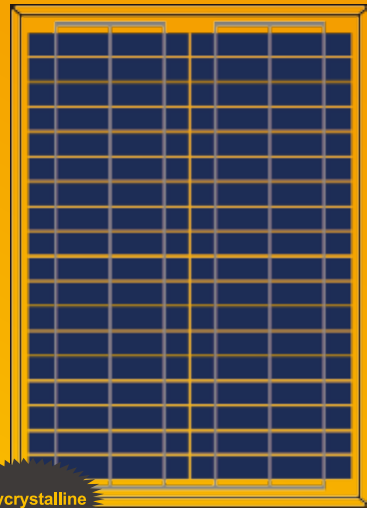


OP020-P

OMNIS photovoltaic Modules are constructed with high efficient solar cells and produce higher output per module than others in its class. This industrial grade module is an industry standard among various industry professionals.



Polycrystalline



1 Features

- (EVA) with TPT cushions the solar cells within the laminate and ensures the operating characteristics of the solar cells under virtually any climatic condition
- Rigid anodized aluminum frame and low iron tempered glass
- Easily accessible grounding points on all four corners for fast installation
- Proven junction box technology

2 Reliability

- Proven superior field performance
- Tight power tolerance

3 Warranty

- 25-year limited warranty of 80% power output;
- 10-year limited warranty of 90% power output;
- 5-year limited warranty of materials and workmanship

4 Applications

- Traffic & Safety
- Federal Government
- Agricultural
- Security
- Telecommunications
- Water and Wastewater
- Weather & Environmental Monitoring
- RV Camper
- Emergency Power
- Telemetry
- SCADA, RTU, GPS
- Marine
- Area Lighting & Sign
- Wi-Fi & Wi=Max
- Fence & Gate

Electrical Characteristics

Module Type		OP020-P
Rated Power at STC (Pmp)	W	20
Power Tolerance	W	0-+5W
Module Efficiency (ηm)	%	16.4
Open Circuit Voltage (Voc)	V	22.4
Short Circuit Current (Isc)	A	1.23
Maximum Power Voltage (Vmp)	V	17.4
Maximum Power Current (Imp)	A	1.15
Maximum System Voltage	V	700
Maximum Series Fuse Rating	A	10

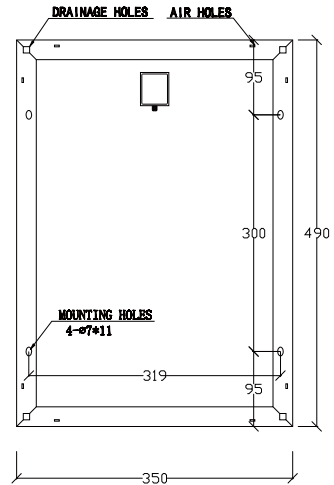
Temperature Characteristics

Pmax Temperature Coefficient	%/C	-0.45
Voc Temperature Coefficient	%/C	-0.33
Isc Temperature Coefficient	%/C	+0.06
Operating Temperature	C	-45~+80
Nominal Operating Cell Temperature (NOCT)	C	45±2

Mechanical Specifications

Module Dimensions	490×350×25 mm
Weight	1.95KG
Solar Cells	Poly156×22.2mm
Front glass	3.2mm Tempered Glass
Frame	Silver/Black Anodized aluminium alloy
Junction Box	IP65
Output Cables	4mm ² , 1000mm
Connector	NA, but MC4 or MC4 Compatible are acceptable
Maximum Snow Load	550kg/m ²
Maximum Wind Load	200km/h
Hailstone Impact Test	80km/h for 25mm ice ball

Engineering (Back Side)



Current-Voltage & Power-Voltage Curve

