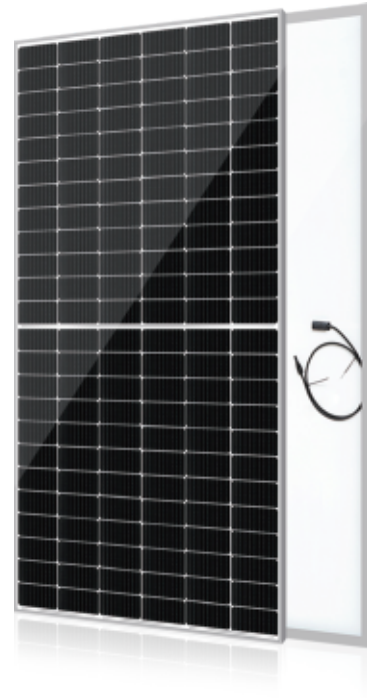


540W/545W/550W/560W

Cortex™ series of solar modules by Omnis Solar Power are very powerful which provide the world-class performance. The Cells and raw materials structure design ensures the maximized of sunlight and enhances the reliability. Cortex™ includes the most leading technologies of solar cells like PERC, N-Topcon, HJT, and shingled. After years of effort, Cortex is able to increase customer's value beyond the efficiency, the performance and durability under real conditions makes our customers succeed no matter in residential or commercial applications.



Highlight



Higher Efficiency

The leading high efficiency of solar cells ensures the high output power which making it more sufficient in limited space



Lower Power Degradation

Ensured PID resistance through cell process and module material control to help harvest more. Cortex is guaranteed ONLY 0.5% annual power degradation in 30 years.



Warranty Extended Up To 25 Years

Cortex provide 25 years warranty of product materials and workmanship which is leading the whole industry



Durability in extreme conditions

Cortex is passed the test by salt mist, ammonia and mechanical loads up to 5400pa positive.

About Omnis Solar Power

In the year of 2010, Omnis Solar Power was created by a group of passionate people in U.S who are dedicating into renewable energies. Since more than 10 Years, Omnis Solar Power has grown to become one of the most innovative and dependable solar product and solution provider. Omnis Solar Power offers sustainability and brings the future to both commercial and residential applications worldwide with top-of-the-line solar products, solutions, and services. Being an qualified PV company means operating in a way that reflects our values and mission to provide our partners with the innovation and quality they deserve. Omnis Solar Power is committed to upholding the standards and responsibility that made us one of the best.

Electrical Data (STC)

Part Number	OP540M72-P3	OP545M72-P3	OP550M72-P3	OP560M72-P3
Peak Power Watts- $P_{MAX}(Wp)^*$	540	545	550	560
Power Output Tolerance	0~±3%			
Open Circuit Voltage- $V_{oc}(V)$	49.00	49.40	49.80	50.20
Short Circuit Current- $I_{sc}(A)$	13.76	13.87	13.99	14.12
Maximum Power Voltage- $V_{MPP}(V)$	40.80	41.20	41.60	42.00
Maximum Power Current- $I_{MPP}(A)$	13.00	13.11	13.23	13.35
Panel Efficiency(%)	20.51	20.90	21.28	21.73

STC :Irradiance 1000w/m²,Cell Temperature 25°C

Electrical Data (NOCT)

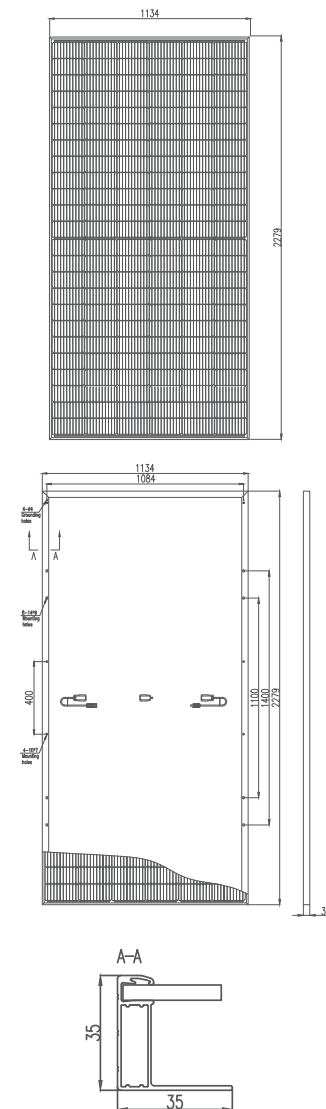
MaximumPower- $P_{MAX}(Wp)^*$	395	402	410	417
Open Circuit Voltage- $V_{oc}(V)$	45.90	46.30	46.60	46.85
Short Circuit Current- $I_{sc}(A)$	11.09	11.18	11.28	11.35
Maximum Power Voltage- $V_{MPP}(V)$	38.00	38.40	38.80	39.42
Maximum Power Current- $I_{MPP}(A)$	10.40	10.49	10.58	10.65

NOCT:Irradiance at 800W/m²,Ambient Temperature 20°C,Wind Speed 1m/s

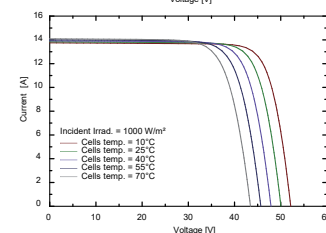
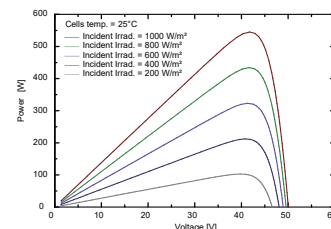
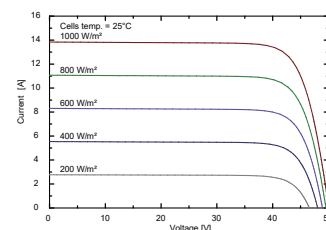
Mechanical Data

Panel Dimension(H/W/O)	2279 x 1134 x 35 mm
Weight	27kg
Cell Type	Monocrystalline PERC
Cell Size	182x91 mm
Cell Number	144
Glass Type	3.2mm,High Transmission tempering Glass
Encapsulant Type	EVA
Frame Type	Anodized Aluminium Alloy
Junction Box Diodes	3
Junction Box Protection Class	IP68
Connector Type	MC4 or MC 4 Comptible
Cable	1x4mm ² ,(+) : 350mm , (-) : 350mm or Customized Length

DIMENSIONS OF PV MODULE(mm)



CURVES OF PV MODULE



Temperature Ratings

NOCT	41°C(±3°C)
Temperature Coefficient of P_{MAX}	-0.36%/°C
Temperature Coefficient of V_{oc}	-0.28%/°C
Temperature Coefficient of I_{sc}	+0.05%/°C

(Do not connect Fuse in Combiner Box with two or more strings in parallel connection)

Maximum Ratings

Operational Temperature	-40~±85 °C
Front/Rear Side Load	5400/2400pa
Max Series Fuse Rating	30A
Max System Voltage	1500V (IEC)
Fire Rating	Class 1(UNI9177)

Warranty

25 years Product Workmanship Warranty

30 years Output Power Warranty

Packaging Configuration

Modules per box:31 pieces

Modules per 40' container:620 pieces

